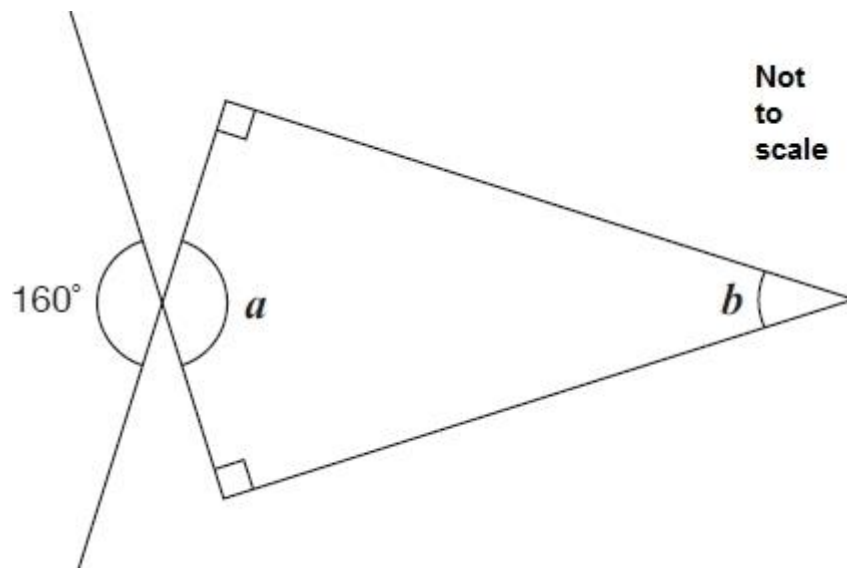


Q1.

Calculate the size of angles a and b in this diagram.

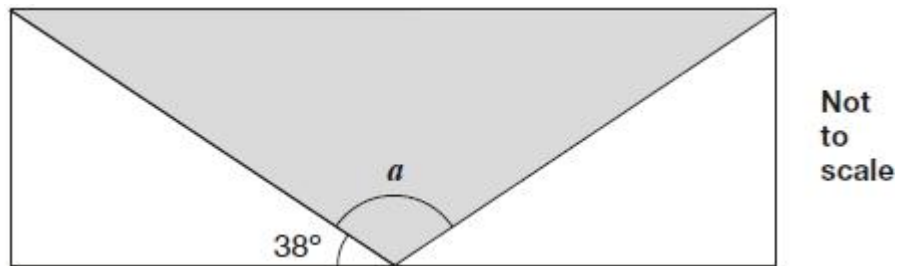


$a =$ 1 mark

$b =$ 1 mark

Q2.

A shaded **isosceles** triangle is drawn inside a rectangle.



Calculate the size of angle a .

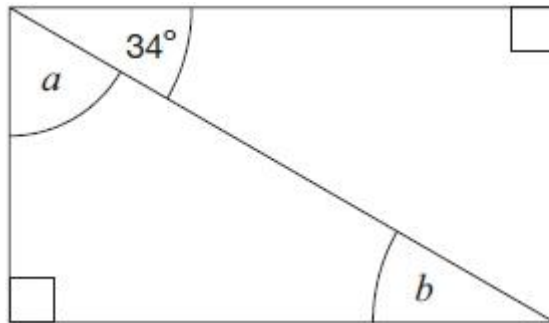
Show your method

o

2 marks

Q3.

Here is a rectangle.



Not to scale

Calculate the size of angles ***a*** and ***b***.

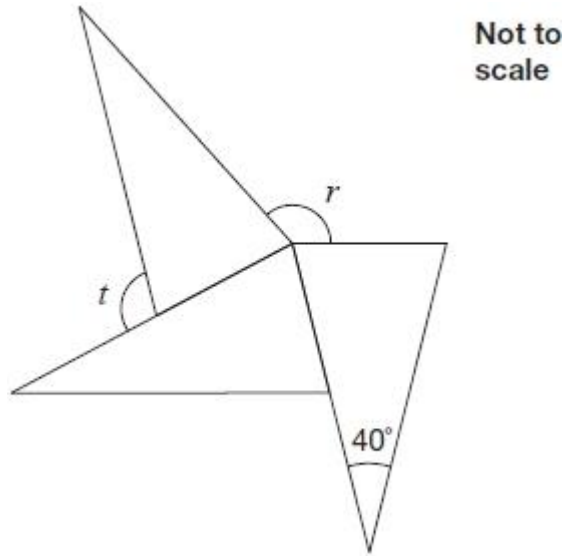
Do **not** measure the angles.

a = 1 mark

b = 1 mark

Q4.

The diagram shows three **identical** isosceles triangles.



What are the sizes of angles r and t ?

Show your method

	$r =$ <input type="text"/>
	$t =$ <input type="text"/>

2 mark