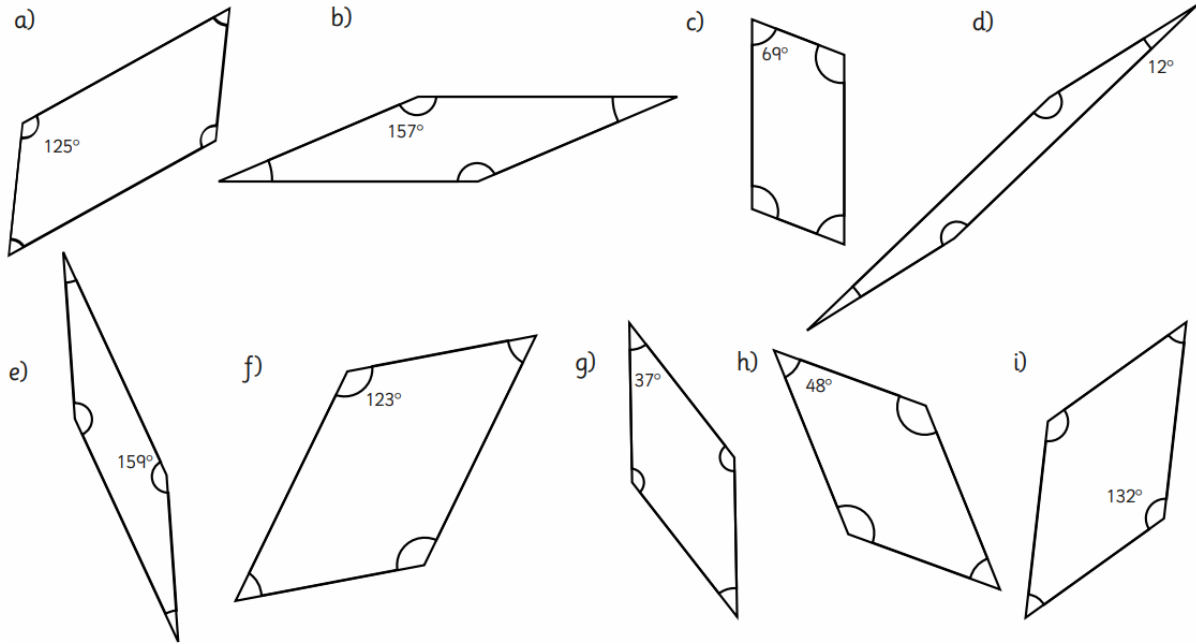


Missing Angles in Parallelograms

Calculate the missing angles in these parallelograms.



Estimate the missing angles in these parallelograms. Ensure the sum of all the angles is correct. When you have done your estimations, measure the angles to check your answers.

